

Model Number

K9905D

ULTRA HIGH PRESSURE CALIBRATION SYSTEM

Revision: B

ECN#:

GENERAL

| | |
|--|---|
| Excitation Range | 10,000 to 80,000 psi [70 to 550 MPa] |
| Calibration Technique | Quasi-static Brass Calibration per SAAMI Z299.1, Dynamic Step Pulse (Oil Calibration) |
| Measurements Supported | Sensitivity, Amplitude Linearity |
| Pressure Units Supported | psi, Pa, kPa, Mpa |
| Sensor Types Supported | Conformal Diaphragm Dynamic Pressure, Traditional Dynamic Pressure |
| Operation Types Supported | IEPE, Charge, Voltage |
| Operation Types Supported (Requires Optional Hardware) | Piezoresistive (Bridge), Capacitive, Differential Charge |
| Included PC | Windows 10 |
| Test Parameters | Managed by system software |
| Test Pass/Fail Criteria | Managed by system software |
| Data Acceptance | Manual or automatic by system software |
| Data Management | Via User Interface or ODBC SQL |
| Report Generation | Automatic with MS Excel |

DATA ACQUISITION SYSTEM

| | |
|------------|-------------|
| Resolution | 24 Bits |
| ADC Type | Delta-Sigma |

INCLUDED SUT SIGNAL CONDITIONER – ICP®/CHARGE

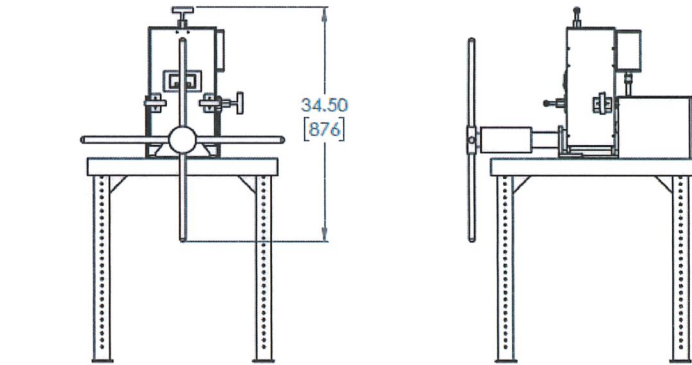
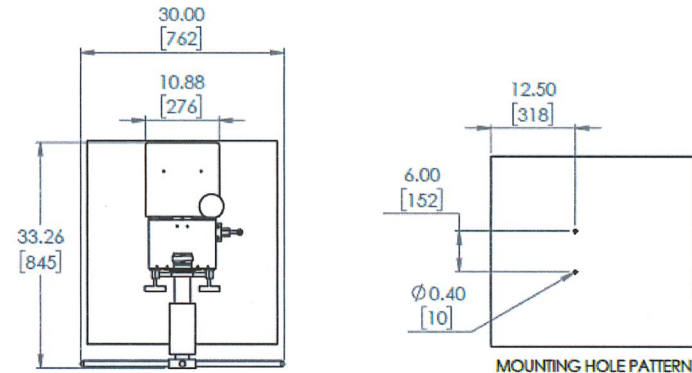
| | |
|-------------------------|------------------------|
| Manufacturer | PCB |
| Model | 443B02 |
| Input Type | ICP/Charge |
| Input Connector | BNC Jack |
| Output Type | Voltage ^[1] |
| Output Connector | BNC Jack |
| Variable Gain Increment | 0.1 to 1000 |
| Output Range | ± 10 Volts |
| Control Interface | Front Panel, RS-232 |

MISCELLANEOUS

The K9905D integrates software and hardware and is statistically verified before shipment and after arriving at final destination.

K9905D+AUTO is also available, adding servo drive for pump and valves, and HMI Touchscreen.

All specifications are at room temperature unless otherwise specified.
 ICP® is a registered trademark of PCB Piezotronics, Inc.
 In the interest of constant product improvement, specifications may change without notice.



NOTE: TABLE NOT INCLUDED

MAJOR COMPONENTS

9905D Ultra High Dynamic Pressure Calibrator, Windows PC, ICP/Charge Signal Conditioning, Data Acquisition Hardware, Software, and Verification Sensor

NOTE:
 [1] Output Impedance <1 Ohm

| | | | |
|---------------------------------|--------------------------------|--------------------------------|--------------------------------|
| Project Engineer: <i>ATG</i> | Product Manager: <i>HTD</i> | SAM Team Leader: <i>CAO</i> | Spec Number: PS-0082 |
| Date: <i>11/29/2020</i> | Date: <i>11/24/2020</i> | Date: <i>12/1/20</i> | Page 1 of 1 |