



MODEL K9901C

HIGH FREQUENCY SHOCK TUBE

- Measures resonant frequency of pressure sensors
- Estimates high frequency response of pressure sensors
- Enables high frequency sensitivity calculation

TYPICAL APPLICATIONS

- Explosive ordnance disposal suit research
- Body armor research
- Research & development

LAB ACCURACY TO THE FIELD

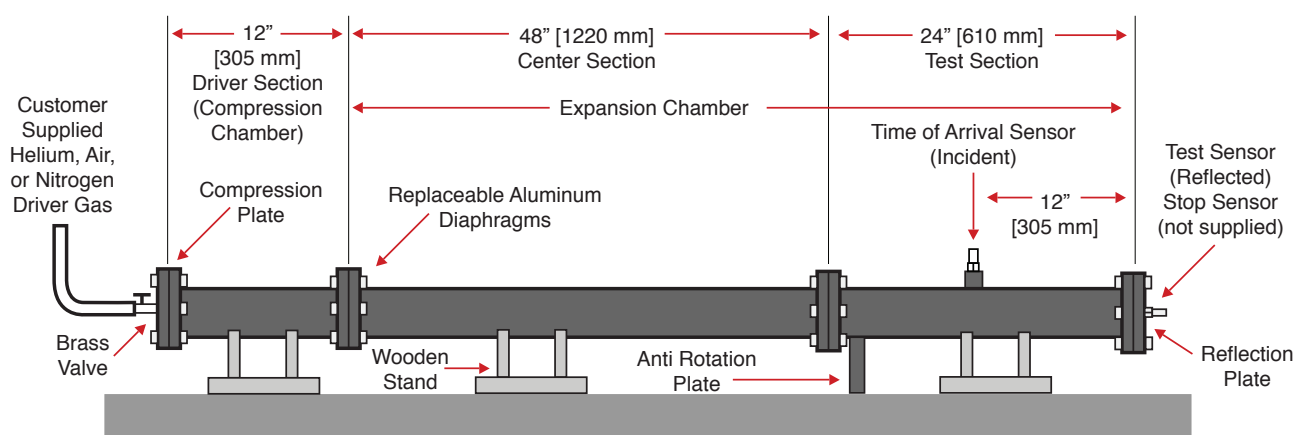
The Model K9901C Shock Tube performs dynamic characterizations on a wide range of pressure sensors. The Model K9901C produces a shock wave by the sudden burst of a replaceable diaphragm. By measuring the timing of the shock wave, as well as measuring the ambient temperature, pressure, and relative humidity, engineers can calculate the sensitivity of a test sensor mounted in the end of the shock tube. The frequency response and resonant frequency of the test sensor may also be estimated as a result of this shock wave. In addition to the shock tube hardware, K9901C includes a pre-installed data acquisition system and software.

This high speed data acquisition software:

- Records, saves, and recalls pressure and weather data
- Maintains a database of equipment used for each test
- Controls data acquisition hardware parameters

APPROXIMATE SHOCK PRESSURES AS A FUNCTION OF DIAPHRAGM

Required Driver Pressure (psi [kPa])	Incident Shock Pressure (psi [kPa])	Reflected Overpressure (psi [kPa])	Diaphragm Material	Diaphragm Material Thickness (in [mm])	Driver Gas
1400 [9700]	180 [1200]	1050 [7200]	Aluminum	0.064 [1.6]	Helium
880 [6100]	144 [1000]	790 [5400]	Aluminum	0.04 [1]	Helium
760 [5200]	130 [900]	690 [4800]	Aluminum	0.032 [0.8]	Helium
423 [2900]	90 [600]	435 [3000]	Aluminum	0.02 [0.5]	Helium
760 [5200]	58 [400]	245 [1700]	Aluminum	0.032 [0.8]	Nitrogen
225 [1600]	32 [200]	110 [800]	Mylar ^[1]	0.01 [0.3]	Nitrogen
7 [50]	3 [20]	6.6 [50]	Mylar ^[1]	0.001 [0.03]	Air



Shock Tube Diagram

SPECIFICATIONS		
Physical		
Driver Section Dimensions (Inner Diameter x Length)	2 in x 12 in	50 mm x 305 mm
Driven Section Dimensions (Inner Diameter x Length)	2 in x 72 in	50 mm x 1 829 mm
Driven Gas	Dry air	
Driver Gas	Dry air, helium, other inert gas	
Mounting Stand Footprint (Length x Width)	96 in x 11 in	2 438 mm x 280 mm
Incident Position Pressure Ports	QTY. 2	
Reflected Position Pressure Ports	QTY. 1-2 ^[2]	

[1] Mylar diaphragms may be stacked for higher pressure levels.

[2] Two separate end plates are included. One with a single port, and another with dual ports for side-by-side comparison testing.

SUPPLIED ACCESSORIES
Data Acquisition System and Pre-installed Software
ICP® Pressure Sensors, Signal Conditioning, and Cabling
Mounting Adaptors for Sensors with PCB 112 Series and 109 Series Form Factor
Consumable Diaphragms

THE MODAL SHOP
AN MTS COMPANY

10310 Aerohub Boulevard, Cincinnati, OH 45215 USA

Toll-Free in the USA: 800 860 4867

Phone: 1 513 351 9919 | Email: info@modalshop.com

The Modal Shop, Inc. offers structural vibration and acoustic sensing systems and services for various applications in design and test laboratories as well as manufacturing plants. An extensive sound and vibration rental program, precision calibration systems, and both modal and vibration shakers are designed to simplify test phases. Non Destructive Testing Systems help manufacturers provide 100% quality inspection of metal components. The Modal Shop, Inc. is a subsidiary of PCB Piezotronics, Inc., and PCB® is a wholly owned subsidiary of MTS Systems Corporation.

© 2019 The Modal Shop, Inc. In the interest of constant product improvement, specifications are subject to change without notice. PCB®, ICP®, Swiveler®, Modally Tuned®, and IMI® with associated logo are registered trademarks of PCB Piezotronics, Inc. in the United States. ICP® is a registered trademark of PCB Piezotronics Europe GmbH in Germany and other countries. UHT-12™ is a trademark of PCB Piezotronics, Inc. SensorLine™ is a service mark of PCB Piezotronics, Inc. SWIFT® is a registered trademark of MTS Systems Corporation in the United States. All other trademarks are property of their respective owners.

DS-0106 revD

MTS
SENSORS

MTS Sensors, a division of MTS Systems Corporation (NASDAQ: MTSC), vastly expanded its range of products and solutions after MTS acquired PCB Piezotronics, Inc. in July, 2016. PCB Piezotronics, Inc. is a wholly owned subsidiary of MTS Systems Corp.; IMI Sensors and Larson Davis are divisions of PCB Piezotronics, Inc.; Accumetrics, Inc. and The Modal Shop, Inc. are subsidiaries of PCB Piezotronics, Inc.