

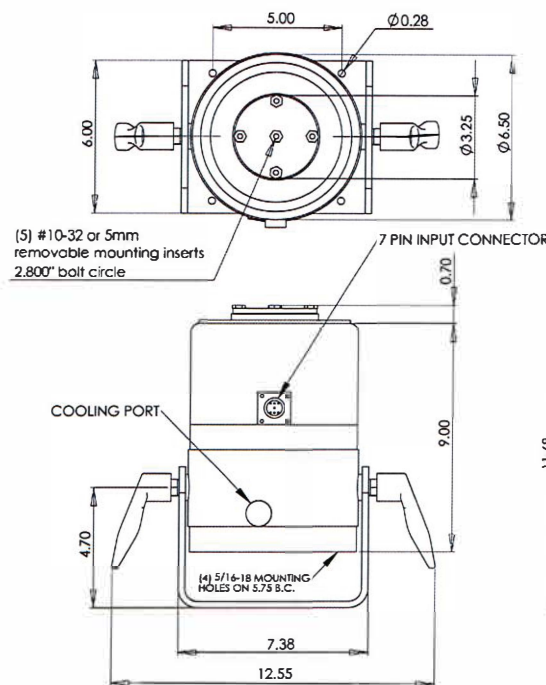
ELECTRODYNAMIC EXCITER (DUAL PURPOSE)

PERFORMANCE

Sine Force	lbf pk (N pk)	110 (489)
Random Force	lbf RMS (N rms)	45 (200)
Shock Force (50 ms)	lbf pk (N pk)	110 (489)
Max. Displacement		
Continuous pk-pk	in (mm)	1.0 (25.4)
Between Stops	in (mm)	1.03 (26.2)
Frequency Range ¹	Hz	DC-6,500
Fundamental Resonance ¹	Hz	4,000-5,000
Maximum Velocity	in/s pk (m/s)	70 (1.778)
Acceleration ^{1,2}		
Bare Table	g pk	110
1 lb load	g pk	55
5 lb load	g pk	18
Maximum Acceleration		
Resonant	g pk	150
Peak Shock	g pk	200

PHYSICAL

Armature Weight	lb (kg)	1.0 (0.45)
Suspension Stiffness	lbf/in (N/mm)	90 (15.8)
Rated Drive Current	A RMS	22
Stray magnetic field		
Measured 1.5 in above table	gauss	<20
Measured 1.0 in from body	gauss	<25
Field Power	W	175
Cooling Air	CFM / in H ₂ O	100 / 15
Dimensions	in (mm) HxWxD	11.7 x 12.5 x 6.5 (297 x 318 x 165)
Shaker Weight (including trunnion)	lb (kg)	56 (25)



Dimensions shown in inches

PD-1377

NOTES:

- ¹ Load dependent
- ² Please see systems ratings for additional specs.

SUPPLIED ACCESSORIES:

- Qty 1 exciter cable
- Qty 1 modal stinger kit

All specifications are at room temperature unless otherwise specified.

ICP is a registered trademark of PCB Piezotronics, Inc.



In the interest of constant product improvement, specifications may change without notice.

Project Engineer:

NMA

Date: 9/23/15

Product Manager:

MAP

Date: 9/29/15

Mkt Team Leader:

[Signature]

Date: 10/27/15

Spec Number:

PS-0063

THE MODAL SHOP
AN MTS COMPANY

10310 Aerohub Boulevard
Cincinnati, OH 45215 USA

800-860-4867 Fax (513) 458-2172
513-351-9919

info@modalshop.com
SAM-F020 revNR 04/04/03