

Model Number  
**2075E**

# ELECTRODYNAMIC EXCITER (DUAL PURPOSE)

Revision: D  
ECN #:

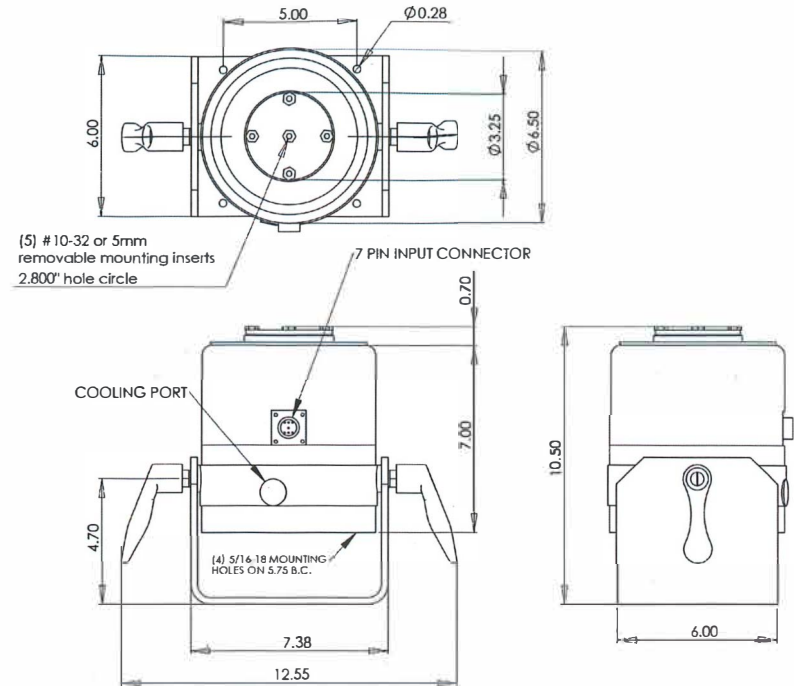
## PERFORMANCE

Sine Force		
Natural Air Cooling	lbf pk (N pk)	40 (178)
With Forced Air Cooling	lbf pk (N pk)	75 (334)
Random Force		
Natural Air Cooling	lbf rms (N rms)	17 (76)
With Forced Air Cooling	lbf rms (N rms)	28 (125)
Shock Force (50 ms)	lbf pk (N pk)	75 (334)
Max. Displacement		
Continuous pk-pk	in (mm)	1.0 (25)
Between Stops	in (mm)	1.03 (26)
Frequency Range <sup>1</sup>	Hz	DC-6500
Fundamental Resonance <sup>1</sup>	Hz	> 4000
Maximum Velocity	ips pk (m/s pk)	70 (1.8)
Acceleration <sup>1,2</sup>		
Bare Table	g pk	75
1 lb load	g pk	38
5 lb load	g pk	12
Maximum Acceleration		
Resonance	g pk	120
Peak Shock	g pk	150

## PHYSICAL

Armature Weight	lb (kg)	1.0 (0.454)
Suspension Stiffness	lbf/in (N/mm)	60 (10.5)
Rated Drive Current		
Natural Cooling	A rms	11
With Cooling Vacuum	A rms	22
Stray Magnetic Field		
1.5" above table	Gauss	<15
1.0" from body	Gauss	<20
Cooling Air	cfm/15 in H <sub>2</sub> O	100
Dimensions	in (mm) HxWxD	10.5 x 12.55 x 6.5 (267 x 319 x 165)
Shaker Weight	lbs (kg)	35 (16)

*All specifications are at room temperature unless otherwise specified.*



### NOTES:

- <sup>1</sup> Load dependent
- <sup>2</sup> Please see systems ratings for additional specs.

### SUPPLIED ACCESSORIES:

- Qty 1 exciter cable
- Qty 1 2000X03 Accessory Kit

ICP® is a registered trademark of PCB Piezotronics, Inc.

In the interest of constant product improvement, specifications may change without notice.



Project Engineer:

*NMA*

Date: *8/13/19*

Product Manager:

*NAP*

Date: *8/12/19*

Mkt Team Leader:

*CAO*

Date: *8/12/19*

Spec Number:

**PS-0055**

**THE MODAL SHOP**  
AN MTS COMPANY

**10310 Aerohub Boulevard  
Cincinnati, OH 45215 USA**

**800-860-4867 Fax (513) 458-52172  
513-351-9919**

[info@modalshop.com](mailto:info@modalshop.com)  
SAM-F020 revNR 04/04/03