

Model Number
2060E

MODAL EXCITER

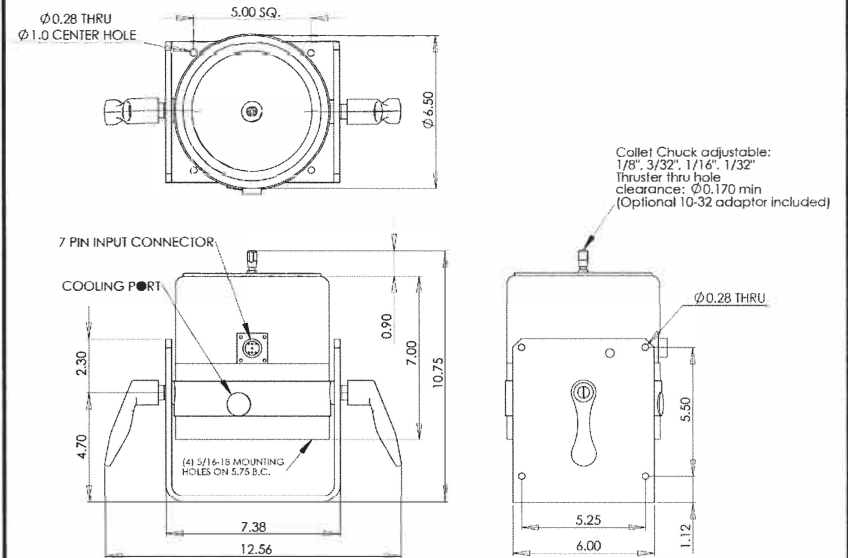
Revision: B
ECN #:

PERFORMANCE

| | | | |
|------------------------------------|-----------------|------------|--|
| Sine Force | | | |
| Natural Air Cooling | lbf pk (N pk) | 30 (133) | |
| With Forced Air Cooling | lbf pk (N pk) | 60 (267) | |
| Max. Displacement | | | |
| Continuous pk-pk | in (mm) | 1.4 (36) | |
| Between Stops | in (mm) | 1.45 (37) | |
| Frequency Range ¹ | Hz | DC-6000 | |
| Fundamental Resonance ¹ | Hz | >4000 | |
| Maximum Velocity | ips pk (m/s pk) | 120 (3.05) | |
| Acceleration ^{1,2} | | | |
| Bare Table | g pk | 100 | |
| 1 lb load | g pk | 38 | |
| 5 lb load | g pk | 11 | |
| Maximum Acceleration at Resonance | g pk | 200 | |

PHYSICAL

| | | |
|----------------------|----------------------------|---------------------------------------|
| Armature Weight | lb (kg) | 0.6 (0.272) |
| Suspension Stiffness | lbf/in (N/mm) | 20 (3.5) |
| Rated Drive Current | | |
| Natural Cooling | A rms | 9 |
| With Cooling Vacuum | A rms | 18 |
| Stray Magnetic Field | | |
| 1.5" above collett | Gauss | < 15 |
| 1.0" from body | Gauss | < 20 |
| Cooling Air | cfm/15 in H ₂ O | 100 |
| Dimensions | in (mm) HxWxD | 10.75 x 12.56 x 6.5 (273 x 319 x 165) |
| Shaker Weight | lbs (kg) | 37 (17) |



RELATED EQUIPMENT

- 2050E05 Power Amplifier, selectable voltage / current control, 500 VA
- 2150G12 Modal Stingers, 1/16" diameter rod with 10-32 threaded end, pack of three
- 2155G12 Modal Stingers, 3/32" diameter rod with 10-32 threaded end, pack of three
- K2160G Piano Wire Stinger Kit, includes quick disconnect load cell adapter
- 2050A Lateral Excitation Stand
- 2050E03 Cooling Package, 110V portable
- 2100E16 Cooling Package, 220V portable

NOTES:

- ¹ Load dependent
- ² Please see systems ratings for additional specs

SUPPLIED ACCESSORIES:

- Qty 1 exciter cable
- Qty 1 modal stinger kit

All specifications are at room temperature unless otherwise specified.

ICP® is a registered trademark of PCB Piezotronics, Inc.

In the interest of constant product improvement, specifications may change without notice.



| | | | |
|---------------------------------|--------------------------------|---------------------------------|--------------------------------|
| Project Engineer: <i>ATG</i> | Product Manager: <i>MAP</i> | Mkt Team Leader: <i>DWOT</i> | Spec Number: PS-0053 |
| Date: <i>1/19/2010</i> | Date: <i>1/23/10</i> | Date: <i>1/25/10</i> | |

THE MODAL SHOP
AN AMPHENOL COMPANY

10310 Aerohub Boulevard
Cincinnati, OH 45215, USA

800-860-4867 Fax (513) 458-2172
513-351-9919

info@modalshop.com
SAM-F020 revNR 04/04/03