

Model Number  
**2025E**

# MODAL EXCITER

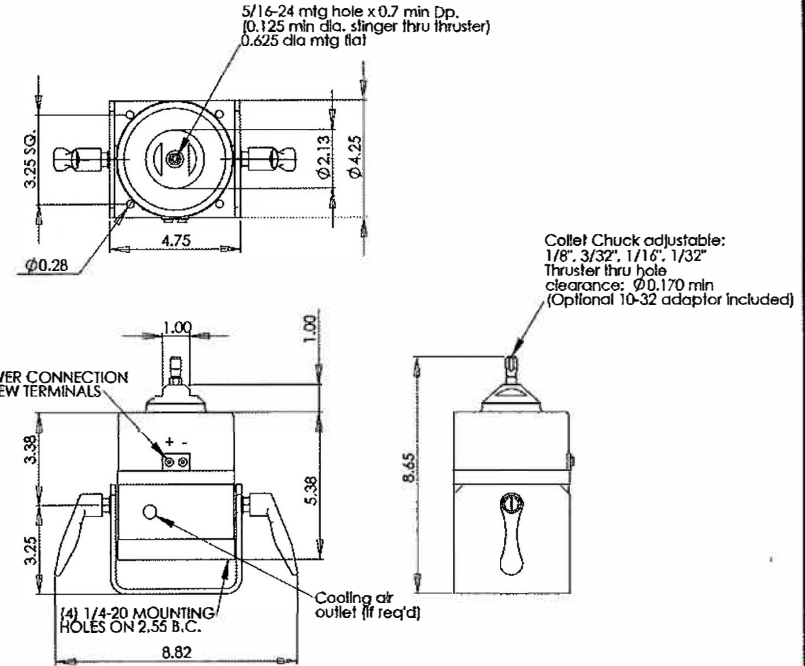
Revision: C  
ECN #:

## PERFORMANCE

Sine Force	lbf pk (N pk)	13 (58)
Natural Air Cooling		
Max. Displacement		
Continuous pk-pk	in (mm)	0.7 (18)
Mechanical Stops	in (mm)	0.75 (19)
Frequency Range <sup>1</sup>	Hz	DC-9000
Fundamental Resonance <sup>1</sup>	Hz	>6000
Maximum Velocity	ips pk (m/s pk)	120 (3)
Acceleration <sup>1,2</sup>		
Bare Table (w/collet)	g pk	32
0.5 lb (0.23 kg) load	g pk	16
2.5 lb (1.13 kg) load	g pk	8
Maximum Acceleration at Resonance	g pk	200

## PHYSICAL

Armature Weight	lb (kg)	0.35 (0.159)
Suspension Stiffness	lbf/in (N/mm)	15 (2.6)
Rated Armature Current		
Natural Cooling	A rms	9
Stray Magnetic Field		
1.5 in (38 mm) above collet	Gauss	<10
0.5 in (13 mm) from body	Gauss	<15
Dimensions	in (mm) HxWxD	8.65 x 8.82 x 4.25 (220 x 224 x 108)
Shaker Weight (with Trunnion)	lb (kg)	13 (6)



## RELATED EQUIPMENT:

2100E21-400 SmartAmp™ Power Amplifier, voltage mode.  
2050E05 Linear Power Amplifier, selectable voltage / current mode  
2150G12 Modal Stingers, 1/16 in diameter rod with 10-32 threaded end, pack of three  
2155G12 Modal Stingers, 3/32 in diameter rod with 10-32 threaded end, pack of three  
K2160G Piano Wire Stinger Kit, includes quick disconnect load cell adapter

## NOTES:

- <sup>1</sup> Load dependent
- <sup>2</sup> Please see systems ratings for additional specs.

## SUPPLIED ACCESSORIES:

Qty 1 exciter cable  
Qty 1 2000X03 shaker accessory kit (with stingers)

All specifications are at room temperature unless otherwise specified.

ICP® is a registered trademark of PCB Piezotronics, Inc.

In the interest of constant product improvement, specifications may change without notice.

Project Engineer: <i>ATG</i>	Product Manager: <i>HAR</i>	Mkt Team Leader: <i>Shub</i>	Spec Number: <b>PS-0054</b>
Date: <i>8/22/13</i>	Date: <i>8/22/13</i>	Date: <i>8/22/13</i>	

**THE MODAL SHOP**  
AN MTS COMPANY

10310 Aerohub Boulevard  
Cincinnati, OH 45215 USA

800-860-4867 Fax (513) 458-52172  
513-351-9919

info@modalshop.com  
SAM-F020 revNR 04/04/03