

Model Number
2025E-HF

HIGH FREQUENCY SHAKER

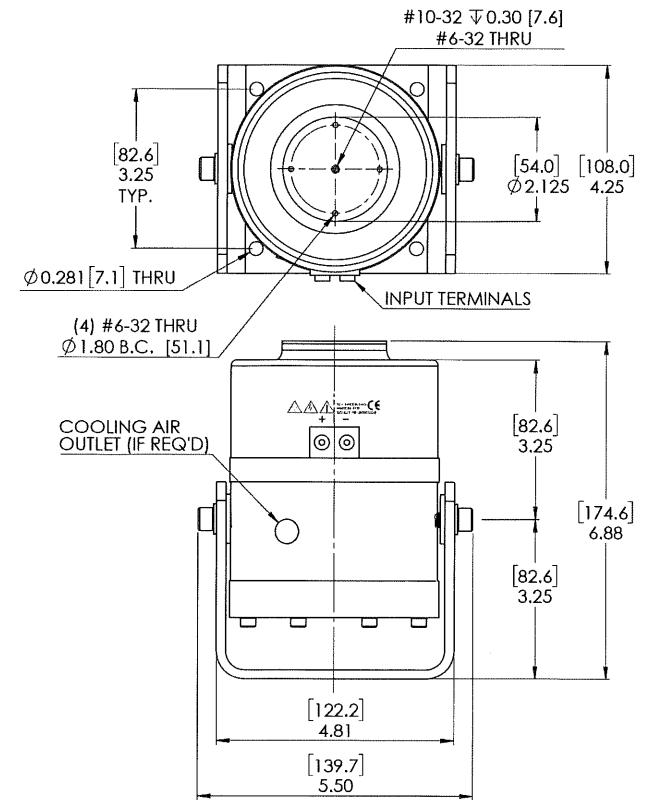
Revision: NR
ECN #:

PERFORMANCE

Sine Force			
Natural Air Cooling	lbf pk (N pk)	13 (58)	
Max. Displacement			
Continuous pk-pk	in (mm)	0.5 (12.7)	
Frequency Range (bare table)	Hz	DC-14000 (13 lbf sine-pk max)	
	Hz	DC-20000 (7 lbf sine-pk max)	
Fundamental Resonance (nominal)	Hz	>5500	
Maximum Velocity	ips pk (cm/s pk)	100 (254)	
Acceleration (max)			
Bare Table	g pk	100	
Shock Pulse	g pk	300	
Maximum Acceleration at Resonance	g pk	150	

PHYSICAL

Armature Weight	lb (kg)	0.35 (0.159)
Suspension Stiffness (nominal)	lbf/in (N/mm)	15 (2.6)
Rated Armature Current		
Natural Cooling	A rms	13
Stray Magnetic Field		
1.0 in (25.4 mm) above table	Gauss	<15
0.5 in (12.7 mm) from body	Gauss	<15
Shaker Dimensions (nominal)		
Diameter	in (mm)	4.25 (108)
height (with trunnion)	in (mm)	7.00 (178)
Shaker Weight (with Trunnion)	lb (kg)	11 (5)



RELATED EQUIPMENT:

2100E21-400 SmartAmp™ Power Amplifier, voltage mode.
2050E05 Linear Power Amplifier, selectable voltage / current mode

NOTES:

SUPPLIED ACCESSORIES:

- shaker cable
- shaker cable spare fuse
- 7/64" hex wrench
- 3/16" hex wrench

All specifications are at room temperature unless otherwise specified.

ICP® is a registered trademark of PCB Piezotronics, Inc.



In the interest of constant product improvement, specifications may change without notice.

Project Engineer: <i>NMA</i>	Product Manager: <i>MSE</i>	Mkt Team Leader: <i>CAO</i>	Spec Number: PS-0156
Date: <i>10/14/19</i>	Date: <i>10/14/19</i>	Date: <i>10/14/19</i>	

THE MODAL SHOP
MTS SYSTEMS CORPORATION

3149 East Kemper Road
Cincinnati, OH 45241, USA

800-860-4867 Fax +1-513-458-2172
+1-513-351-9919

info@modalshop.com
SAM-F020 revNR 04/04/03