

Model Number  
**2007E**

# ELECTRODYNAMIC EXCITER

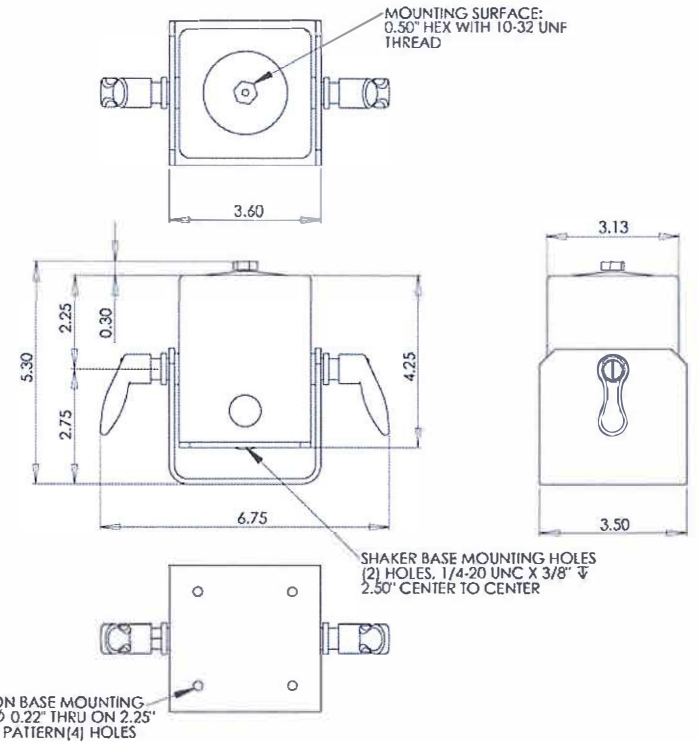
Revision: C  
ECN #:

## PERFORMANCE

Sine Force	lbf pk (N pk)	7 (31)
Natural Air Cooling		
Random Force	lbf rms (N rms)	5 (22)
Natural Air Cooling		
Shock Force	lbf pk (N pk)	15 (67)
Max. Displacement		
Continuous pk-pk	in (mm)	0.5 (13)
Between Stops	in (mm)	0.55 (14)
Frequency Range <sup>1</sup>	kHz	DC - 9
Acceleration <sup>1,2</sup>		
Bare Table	g pk	27
1 lb load	g pk	4
2 lb load	g pk	2.1

## PHYSICAL

Armature Weight	lb (kg)	0.1 (0.045)
Suspension Stiffness	lbf/in (N/mm)	15 (2.63)
Dimensions	in (mm) H x W x D	5.3 x 6.75 x 3.5 (135 x 171 x 89)
Shaker Weight	lb (kg)	6 (2.722)



### NOTES:

- <sup>1</sup> Load dependent
- <sup>2</sup> Please see systems ratings for additional specs.

### SUPPLIED ACCESSORIES:

- Qty 1 - 2110G06 Stinger kit
- Qty 2 - Easy turn handles

All specifications are at room temperature unless otherwise specified.

ICP<sup>®</sup> is a registered trademark of PCB Piezotronics, Inc.

In the interest of constant product improvement, specifications may change without notice.



Project Engineer:

NMA

Date: 12/4/13

Product Manager:

MSP

Date: 11/27/13

Mkt Team Leader:

[Signature]

Date: 12/4/13

Spec Number:

PS-0057

**THE MODAL SHOP**  
AN MTS COMPANY

10310 Aerohub Boulevard  
Cincinnati, OH 45215 USA

800-860-4867 Fax (513) 458-52172  
513-351-9919

sales@modalshop.com  
SAM-F020 revNR 04/04/03