

Model Number

K9903C

LOW PRESSURE CALIBRATION SYSTEM

Revision: B

ECN#:

GENERAL

Excitation Range	5 to 150 psi [34 to 1000 kPa] ^[1]
Calibration Technique	Dynamic Step Pulse
Typical Rise Time	3 to 5 mSec
Measurements Supported	Sensitivity, Amplitude Linearity
Pressure Units Supported	Psi, Pa, kPa, Mpa
Sensor Types Supported	Dynamic Pressure
Operation Types Supported	IEPE, Charge, Voltage
Operation Types Supported (Requires Optional Hardware)	Piezoresistive (Bridge), Capacitive, Differential Charge
Included PC	Windows 10
Test Parameters	Managed by system software
Test Pass/Fail Criteria	Managed by system software
Data Acceptance	Manual or automatic by system software
Data Management	Via User Interface or ODBC SQL
Report Generation	Automatic with MS Excel

DATA ACQUISITION SYSTEM

Resolution	24 Bits
ADC Type	Delta-Sigma

INCLUDED SUT SIGNAL CONDITIONER – ICP®/CHARGE

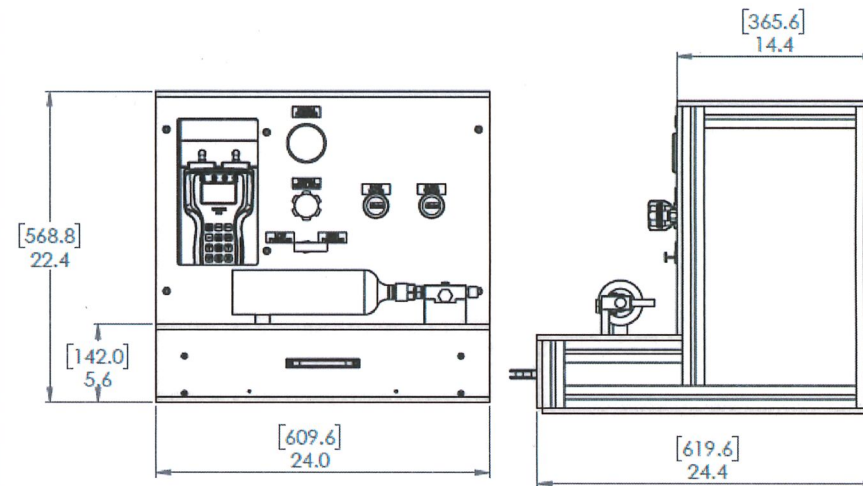
Manufacturer	PCB
Model	443B02
Input Type	ICP/Charge
Input Connector	BNC Jack
Output Type	Voltage ^[2]
Output Connector	BNC Jack
Variable Gain Increment	0.1 to 1000
Output Range	± 10 Volts
Control Interface	Front Panel, RS-232

MISCELLANEOUS

The K9903C integrates software and hardware and is statistically verified before shipment and after arriving at final destination.

MAJOR COMPONENTS

9903C Dynamic Pressure Calibrator, Windows PC, ICP/Charge Signal Conditioning, Data Acquisition Hardware, Software, and Verification Sensor



NOTES:

- [1] 1 psi [7kPa] available with optional low pressure reference gauge
- [2] Output Impedance <1 Ohm

All specifications are at room temperature unless otherwise specified.
 ICP® is a registered trademark of PCB Piezotronics, Inc.
 In the interest of constant product improvement, specifications may change without notice.

Project Engineer:

ATG

Date: 11/29/2020

Product Manager:

RTD

Date: 11/24/2020

SAM Team Leader:

CAO

Date: 12/1/20

Spec Number:

PS-0101

Page 1 of 1