

Model Number
485B39

DIGITAL ICP® - USB SIGNAL CONDITIONER

Revision: A
ECN #:

PERFORMANCE

	ENGLISH	SI
Channel Count	2	2
Voltage Range (nominal ¹)	± 10 V pk	± 10 V pk
ADC Resolution	24-bit ²	24-bit ²
Frequency Range (± 5 %)	0.8 Hz to 20.7 kHz	0.8 Hz to 20.7 kHz
Sample Rate	48, 44.1, 32, 22.05, 16, 11.025, 8 kHz	48, 44.1, 32, 22.05, 16, 11.025, 8 kHz
Antialiasing Lowpass Filter (-3dB) at 48 kHz	22.9 kHz ³	22.9 kHz ³
AC High Pass Filter (-3dB)	1 Hz to 0.5 Hz ⁴	1 Hz to 0.5 Hz ⁴
Digital Output Interface	USB class 1 audio	USB class 1 audio

ENVIRONMENTAL

Temperature Range (Operating)	14 °F to +176 °F	-10 °C to +80 °C
Temperature Range (Storage)	-40 °F to +176 °F	-40 °C to +80 °C

ELECTRICAL

Excitation Voltage (to sensor: ± 5 %)	24 V DC	24 V DC
Constant Current Excitation (± 5 %)	4 mA	4 mA
DC Power (USB)	< 500 mW (5 V at 100 mA)	< 500 mW (5 V at 100 mA)
Settling Time	1.5 seconds	1.5 seconds
Electrical Isolation (case)	Grounded	Grounded

MECHANICAL

Housing Material	Stainless steel	Stainless steel
Size (length x width x height)	2.36 in x 1.54 in x 0.75 in	60 mm x 39 mm x 19 mm
Weight	4.4 oz	125 gram
Sensor Inputs	2 BNC jacks	2 BNC jacks
Digital Output	9 in integral USB cable	23 cm integral USB cable
USB Connector	Type A	Type A

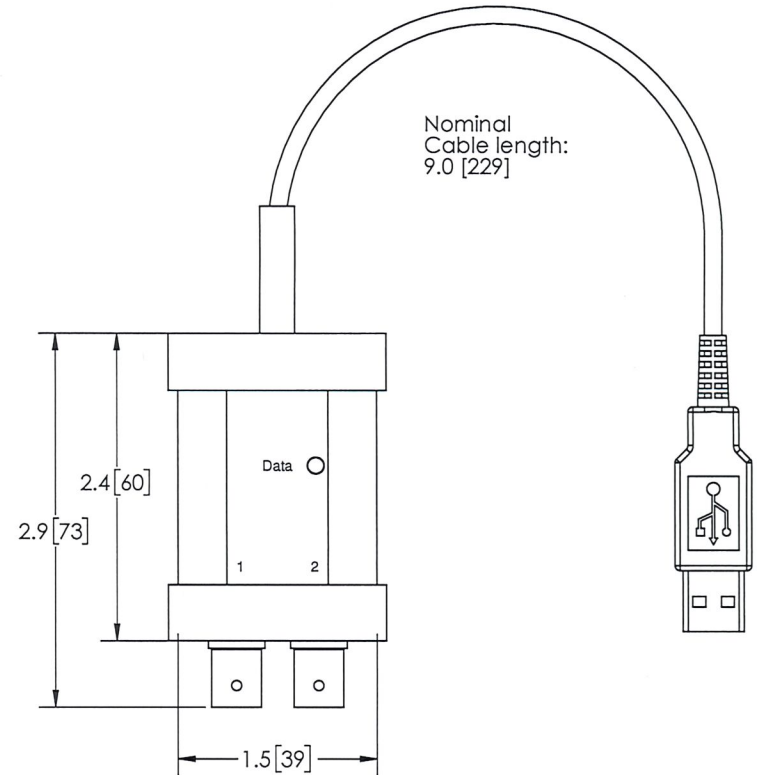
NOTES:

- ¹ ± 8 V pk, guaranteed
² 16-bit selectable by software
³ Proportional to sample rate
⁴ Sample rate dependent (48 kHz to 8 kHz)

OPTIONAL ACCESSORIES:

- MD821AM/A USB A to Lightning camera adaptor
 USB A to USB OTG adaptor

PRODUCT DRAWING



Dimensions in inches [mm]

In the interest of constant product improvement, specifications may change without notice.

All specifications are at room temperature unless otherwise specified.



Project Engineer: TEL	Product Manager: MAP	Mkt Team Leader: 	Spec Number: PS-0149
Date: 6/28/18	Date: 6/28/18	Date: 6/29/18	

THE MODAL SHOP
MTS SYSTEMS CORPORATION

3149 East Kemper Road
Cincinnati, OH 45241

800-860-4867 Fax (513) 458-2172
+1 513-351-9919

info@modalshop.com
SAM-F020 revNR 04/04/03