

ELECTRODYNAMIC EXCITER (DUAL PURPOSE)

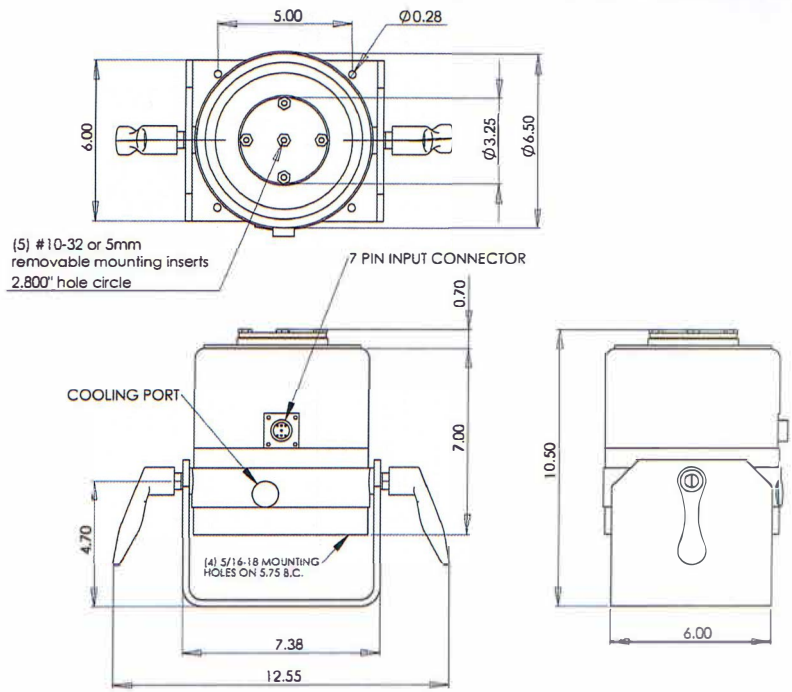
PERFORMANCE

Sine Force			
Natural Air Cooling	lbf pk (N pk)	40 (178)	
With Forced Air Cooling	lbf pk (N pk)	75 (334)	
Random Force			
Natural Air Cooling	lbf rms (N rms)	17 (76)	
With Forced Air Cooling	lbf rms (N rms)	28 (125)	
Shock Force (50 ms)			
	lbf pk (N pk)	75 (334)	
Max. Displacement			
Continuous pk-pk	in (mm)	1.0 (25)	
Between Stops	in (mm)	1.03 (26)	
Frequency Range¹			
	Hz	DC-6500	
Fundamental Resonance¹			
	Hz	> 4000	
Maximum Velocity			
	ips pk (m/s pk)	70 (1.8)	
Acceleration^{1,2}			
Bare Table	g pk	75	
1 lb load	g pk	38	
5 lb load	g pk	12	
Maximum Acceleration			
Resonance	g pk	120	
Peak Shock	g pk	150	

PHYSICAL

Armature Weight	lb (kg)	1.0 (0.454)
Suspension Stiffness	lbf/in (N/mm)	60 (10.5)
Rated Drive Current		
Natural Cooling	A rms	11
With Cooling Vacuum	A rms	22
Stray Magnetic Field		
1.5" above table	Gauss	<15
1.0" from body	Gauss	<20
Cooling Air	cfm/15 in H ₂ O	100
Dimensions	in (mm) HxWxD	10.5 x 12.55 x 6.5 (267 x 319 x 165)
Shaker Weight	lbs (kg)	35 (16)

All specifications are at room temperature unless otherwise specified.



RELATED EQUIPMENT

- 2050E05 Power Amplifier, selectable voltage / current control, 500 VA
- 2150G12 Modal Stingers, 1/16" diameter rod with 10-32 threaded end, pack of three
- 2155G12 Modal Stingers, 3/32" diameter rod with 10-32 threaded end, pack of three
- K2160G Piano Wire Stinger Kit, includes quick disconnect load cell adapter
- 2050A Lateral Excitation Stand
- 2050E03 Cooling Package, 110V portable
- 2100E16 Cooling Package, 220V portable

NOTES:

- ¹ Load dependent
- ² Please see systems ratings for additional specs.

SUPPLIED ACCESSORIES:

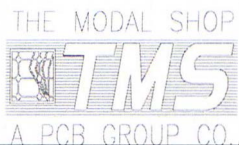
- Qty 1 exciter cable
- Qty 1 modal stinger kit

ICP is a registered trademark of PCB Piezotronics, Inc.



In the interest of constant product improvement, specifications may change without notice.

Project Engineer: <i>JGK</i>	Product Manager: <i>MAR</i>	Mkt Team Leader: <i>[Signature]</i>	Spec Number: PS-0055
Date: <i>3/2/17</i>	Date: <i>02/2/17</i>	Date: <i>3/13/17</i>	



**3149 East Kemper Road
Cincinnati, OH 45241**

**800-860-4867 Fax (513) 458-52172
513-351-9919**

info@modalshop.com
SAM-F020 revNR 04/04/03