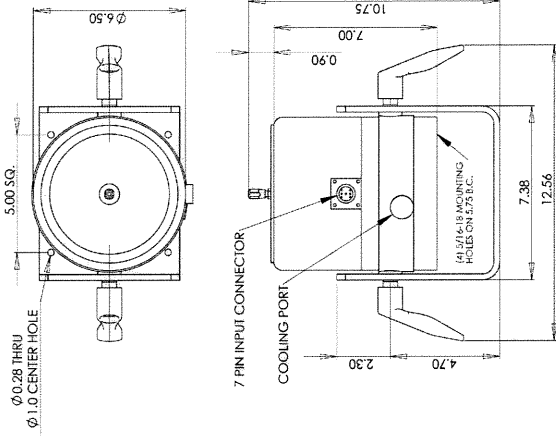


PERFORMANCE

Sine Force	30 (133)
Natural Air Cooling	60 (267)
With Forced Air Cooling	
Max. Displacement	1.4 (36)
Continuous pk-pk	1.45 (37)
Between Stops	DC-6000
Frequency Range ¹	>4000
Fundamental Resonance ¹	120 (3.05)
Maximum Velocity	
Acceleration ^{1,2}	100
Bare Table	38
1 lb load	11
5 lb load	200
Maximum Acceleration at Resonance	

PHYSICAL

Armature Weight	0.6 (0.272)
Suspension Stiffness	20 (3.5)
Rated Drive Current	
Natural Cooling	9
With Cooling Vacuum	18
Stray Magnetic Field	< 15
1.5" above collett	< 20
1.0" from body	100
Cooling Air	10.75 x 12.56 x 6.5 (273 x 319 x 165)
Dimensions	37 (17)
Shaker Weight	



Collet Chuck adjustable:
1/8", 3/32", 1/16", 1/32"
Thru hole
clearance: 0.00, 0.70 min.
(Optional 10-32 adaptor included)

RELATED EQUIPMENT

- 2050E05 Power Amplifier, selectable voltage / current control, 500 VA
- 2150G12 Modal Stingers, 1/16" diameter rod with 10-32 threaded end, pack of three
- 2155G12 Modal Stingers, 3/32" diameter rod with 10-32 threaded end, pack of three
- K2160G Piano Wire Stinger Kit, includes quick disconnect load cell adapter
- 2050A Lateral Excitation Stand
- 2050E03 Cooling Package, 110V portable
- 2100E16 Cooling Package, 220V portable

NOTES:

- 1 Load dependent
- 2 Please see systems ratings for additional specs

SUPPLIED ACCESSORIES:

- Qty 1 exciter cable
- Qty 1 modal stinger kit

All specifications are at room temperature unless otherwise specified.

ICP® is a registered trademark of PCB Piezotronics, Inc.

In the interest of constant product improvement, specifications may change without notice.

THE MODAL SHOP



A PCB GROUP CO.

**3149 East Kemper Road
Cincinnati, OH 45241**

800-860-4867 Fax (513) 458-2172

513-351-9919

info@modalshop.com
SAM-F020 revNR 04/04/03

Project Engineer: <i>ATG</i>	Product Manager: <i>MAP</i>	Mkt Team Leader: <i>DWDJ</i>	Spec Number: PS-0053
Date: <i>1/19/2010</i>	Date: <i>1/25/10</i>	Date: <i>1/25/10</i>	

NOTES: 1 Load dependent 2 Please see systems ratings for additional specs	SUPPLIED ACCESSORIES: Qty 1 exciter cable Qty 1 modal stinger kit
---	---